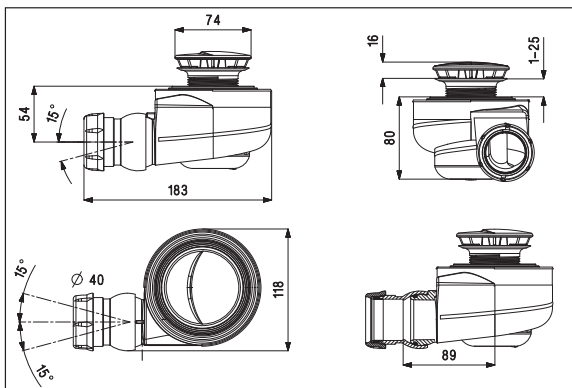
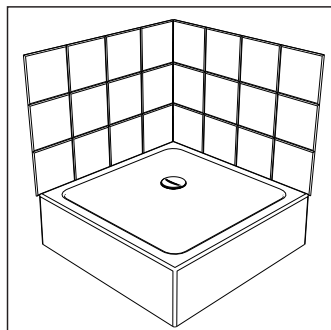
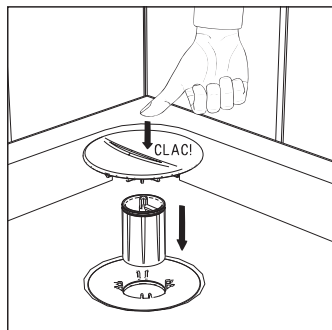
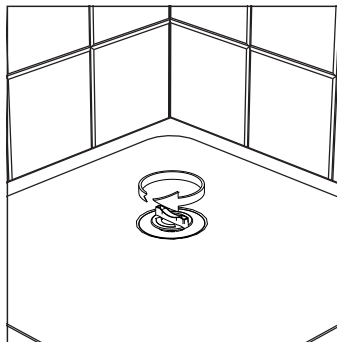
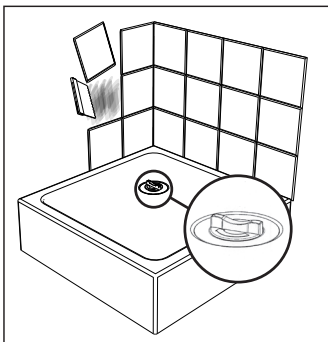
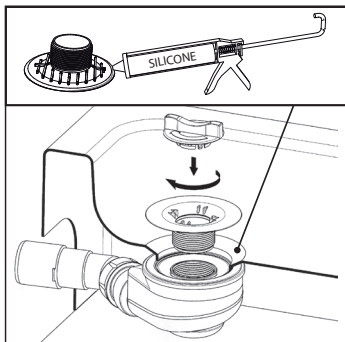
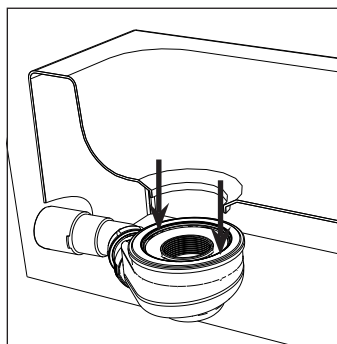
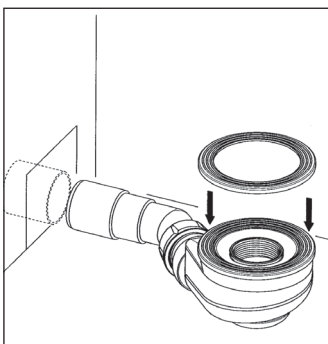
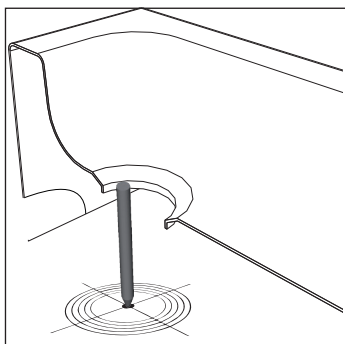
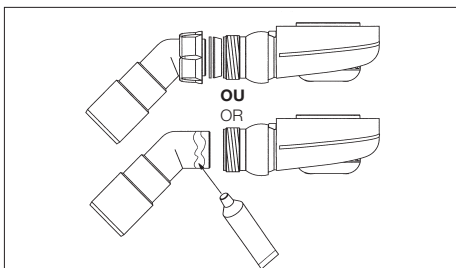


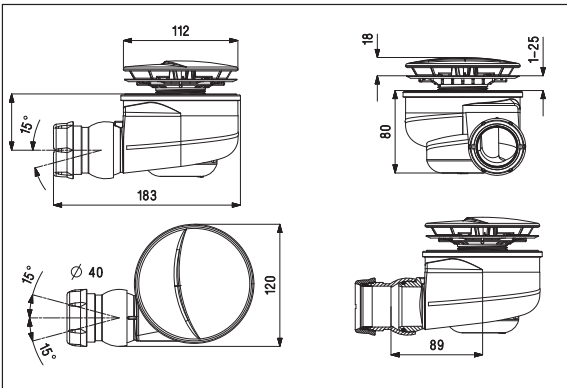
Turb@flow Ø 50 & Ø 60 mm



OPTIONS



Turboflow Ø 90 mm



OPTIONS

