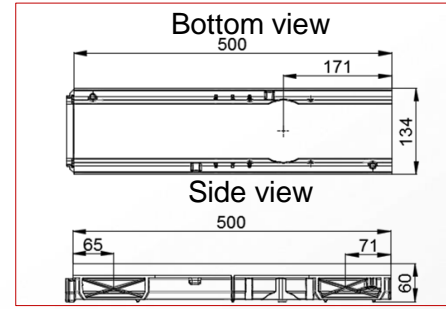
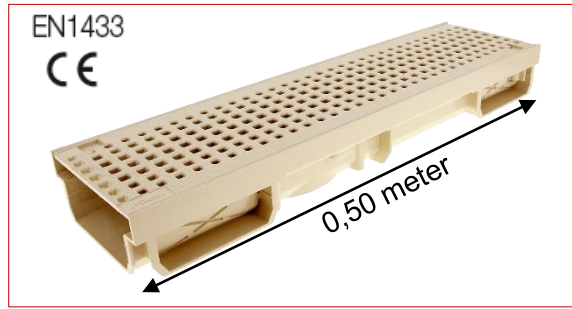
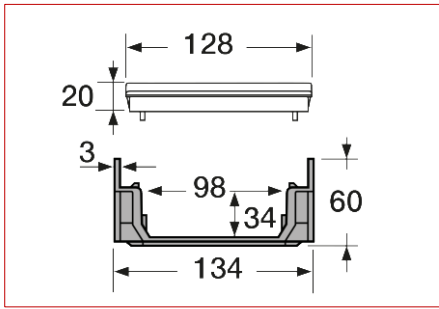




# Connecto® I Sand shallow channel – Outside width 130mm - with PVC grating sand color class A15

Code : CAB510APS



## FUNCTION :

The drainage channel is designed to drain run-off water. In accordance with EN1433 standard and the marking it can be used in private areas for all building applications, the environment of home, parks and gardens in class A15.

## DESCRIPTION :

It consists of:

- an injected PVC body in sand colour with male/female interlocking system
- one PVC grating sand class A15

## ACCESSORIES :

The network connection can be realized thanks to the following PVC accessories :

- end cap/end or lateral outlet Ø40 : NAH773S
- vertical outlet Ø100 or 110 : STCAN or SVCAN
- sump unit with outlet Ø100 or 110 : PSCVT or PSCVV



STCAN  
SVCAN



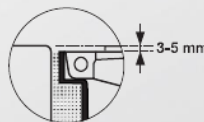
NAH773S



PSCVT  
PSCVV

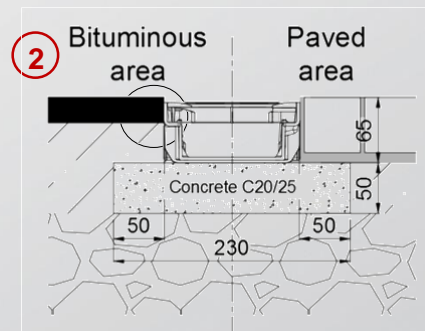
## CHARACTERISTICS :

- Resistance class: A15
- Effective width: 98 mm
- Effective depth: 34 mm
- Grating type: PVC sand
- Drainage surface: 232 cm<sup>2</sup>/ml
- Hydraulic section: 33 cm<sup>2</sup>
- Opening dimensions: less than 8 mm
- Weight: 1,2 kg



## IMPLEMENTATION :

1. The channel body makes it possible to carry out 90° angles by interlocking.
2. See the scheme opposite



## QUALITY - ENVIRONMENT :



DATE : April 2016