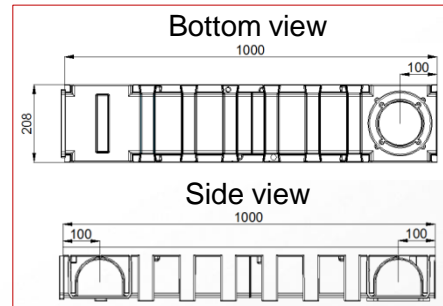
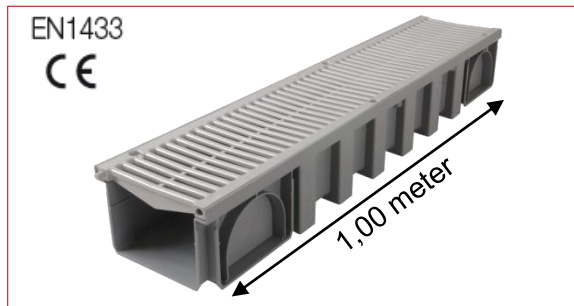
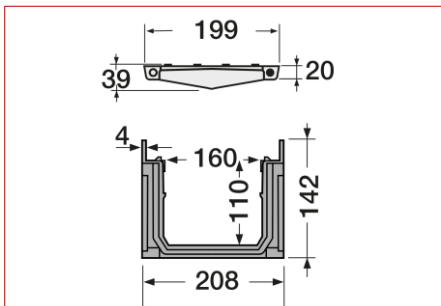


Connecto® I Channel – Outside width 200mm

- with PVC gratings light grey color class A15

Code : CAN15AG



FUNCTION :

The drainage channel is designed to drain run-off water. In accordance with EN1433 standard and the marking it can be used in private areas for all building applications, the environment of home, parks and gardens in class **A15**.

DESCRIPTION :

It consists of:

- an injected polypropylene body in light grey colour with male/female interlocking system
- two PVC gratings light grey class A15

ACCESSORIES :

To fix a grating, it's necessary to use two FIXCAN2 (set made up of 1 screw covered with zinc and 1 insert of zamak bichromate).

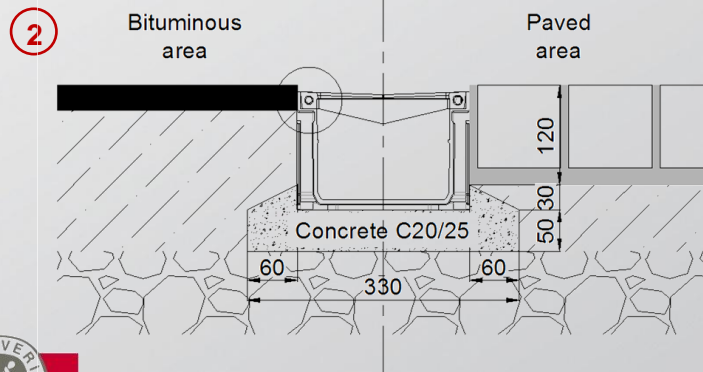
The network connection can be realized thanks to the following PVC accessories :

- end cap/end or lateral outlet Ø100, 110 or 125 : NAT188, NAV188 or NAX188
- vertical outlet Ø100, 110 or 125 : STCAN, SVCAN or SXCAN
- sump unit with outlet Ø100 or 110 : PSCVT or PSCVV



CHARACTERISTICS :

- Resistance class: A15
- Effective width: 160 mm
- Effective depth: 110 mm
- Grating type: PVC
- Drainage surface: 604 cm²/ml
- Hydraulic section: 176 cm²
- Opening dimensions: 10 / 157 mm
- Weight: 4.3 kg



IMPLEMENTATION :

1. The channel body makes it possible to carry out 90° angles by interlocking.
2. See the scheme opposite

QUALITY - ENVIRONMENT :



DATE : July 2015