

Connecto | Sump units with outlet Ø100

Code : PSCVT



■ FUNCTION :

This product enables to catch sands and floating objects.

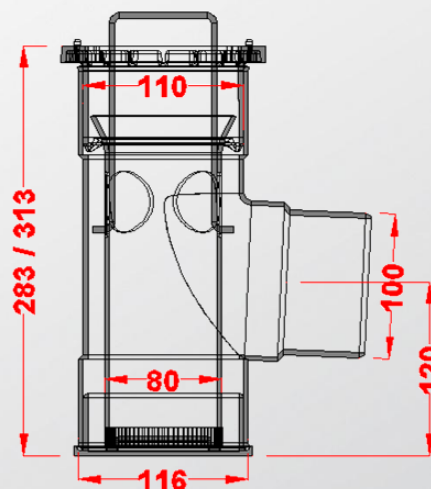
■ DESCRIPTION :

Made of PVC sump units are available for Connecto CAN177 and CAN188.

It has adjustable height ($\approx 3\text{cm}$) and can swivel by 360° .

■ CHARACTERISTICS :

- Channel width : 130mm
- Øoutlet : 100mm
- Øinlet : 110mm
- Height mini/maxi : 283/313mm
- Height outlet : 120mm
- Øsump unit : 116mm
- Øbasket : 80mm
- Basket's volume: 0.6L



■ IMPLEMENTATION :

The vertical outlet (supplied) has to be screwed under the Connecto channel body. Once the gratin is removed, the sump's body is positioned on the vertical outlet. When sump and channel are installed, they have to be connected to the pipe network. The sump has to be concreted like the channel body. The removable basket can be placed into the sump and has to be locked by a quarter turn. The Grating then has to be locked again on the channel body.

■ QUALITY - ENVIRONMENT :

ISO 9001
ISO 14001
BUREAU VERITAS
Certification



DATE : December 2013